



MEETING ROOM CAPACITIES

Name	Square Feet	Dimensions	Ceiling Height	Theater	Crescent Rounds	Rounds (10)	Classroom	Conference	U-Shape	Block 0
Ballroom	2,560	80 x 32	10'	200	75	150	120	-	-	-
Delaware Room	992	31 x 32	10'	72	30	60	48	30	36	30
Shawnee Room	992	31 x 32	10'	72	25	50	44	30	36	30
Miami Room	512	32 x 16	10'	36	15	24	16	-	20	-
Delaware & Shawnee	1,984	62 x 32	10'	144	48	110	92	-	-	-
Shawnee & Miami	1,504	47 x 32	10'	108	24	72	60	38	44	56
Lookout Room	1,264	39.5 x 32	15'	96	36	72	40	30	36	48
Aerie Room	930	30 x 31	15'	60	24	30	32	30	24	30
Logan Room	425	15 x 15	10'	-	-	-	-	15	-	-
Solarium A	204	17 x 12	8'	15	-	-	-	12	-	-
Solarium B	204	17 x 12	8'	15	-	-	-	12	-	-
Tribal Room	828	36 x 23	9'	-	-	-	-	30	26	34

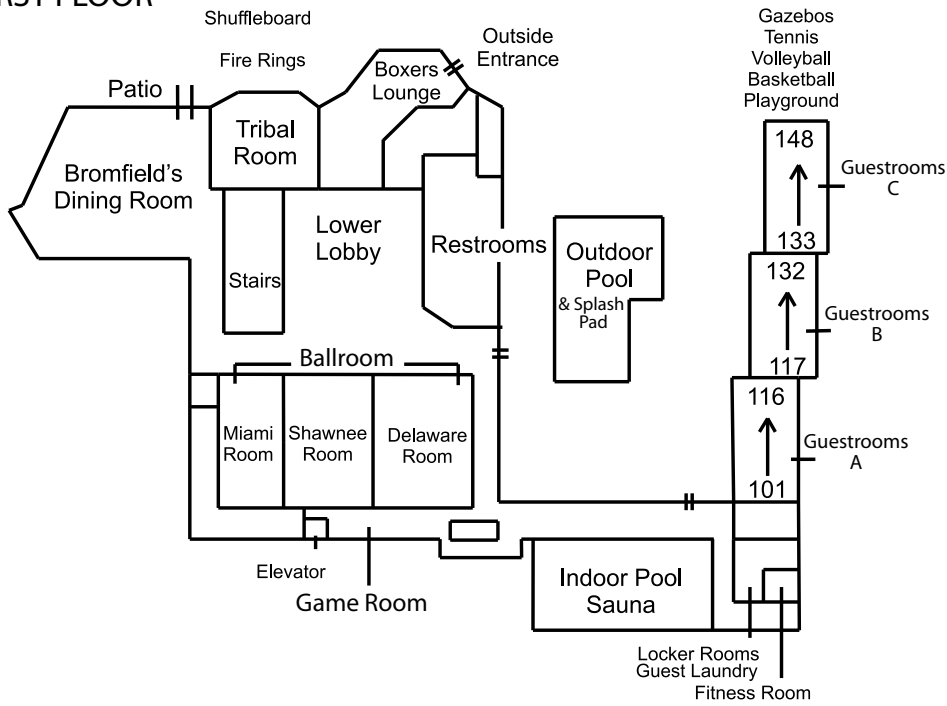
Actual capacity of rooms will depend on the set-up style in the room. All occupancies are maximum room sets allowable for space, local and state codes. Occupancies may decrease depending upon additional service items in the room, such as audio visual equipment, head table, buffet tables, dance floor, and display tables.





MOHICAN LODGE & CONFERENCE CENTER MAP

FIRST FLOOR



SECOND FLOOR (Main Level)

