



# MEETING ROOM CAPACITIES

Name	Square Feet	Dimensions	Ceiling Height	Theater	Crescent Rounds	Rounds (10)	Classroom	Conference	U-Shape	Block 0
Ballroom	2,560	80 x 32	10'	200	75	150	120	-	-	-
Delaware Room	992	31 x 32	10'	72	30	60	48	30	36	30
Shawnee Room	992	31 x 32	10'	72	30	60	48	30	36	30
Miami Room	512	16 x 32	10'	36	15	30	16	10	20	-
Delaware & Shawnee	1,984	62 x 32	10'	144	60	120	92	-	-	-
Shawnee & Miami	1,504	47 x 32	10'	108	45	90	60	38	44	56
Lookout Room	1,264	39.5 x 32	15'	96	35	70	40	30	36	48
Aerie Room	930	30 x 31	15'	60	20	40	32	30	24	30
Logan Room	225	15 x 15	10'	-	-	-	-	15	-	-
Solarium A	204	17 x 12	8'	15	-	-	-	12	-	-
Solarium B	204	17 x 12	8'	15	-	-	-	12	-	-
Tribal Room <i>70 max</i>	828	36 x 23	9'	-	-	-	-	30	26	34

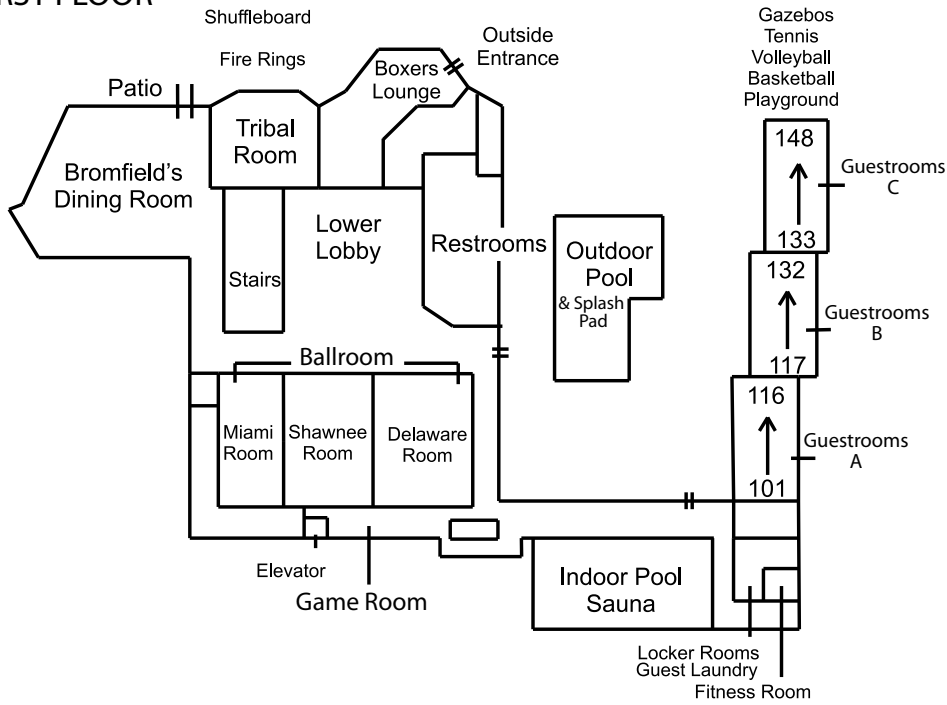
Actual capacity of rooms will depend on the set-up style in the room. All occupancies are maximum room sets allowable for space, local and state codes. Occupancies may decrease depending upon additional service items in the room, such as audio visual equipment, head table, buffet tables, dance floor, and display tables.



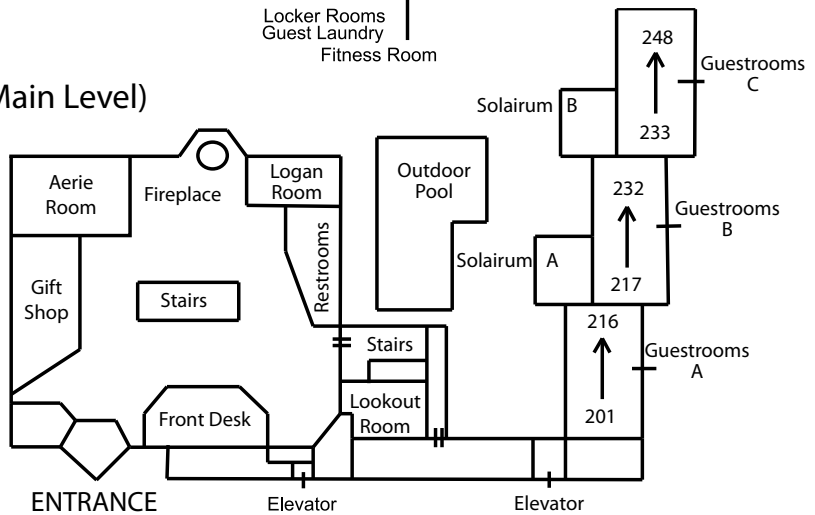


# MOHICAN LODGE & CONFERENCE CENTER MAP

## FIRST FLOOR



## SECOND FLOOR (Main Level)



1098 Ashland County Road #3006  
 Perrysville, OH 44864  
 419-938-5411  
 MohicanLodge.com

